

REV.
D

RATIONALE

AS9902D HAS BEEN REAFFIRMED TO COMPLY WITH THE SAE FIVE-YEAR REVIEW POLICY.

NOTICE

THE INITIAL SAE PUBLICATION OF THIS DOCUMENT WAS TAKEN DIRECTLY FROM U.S. MILITARY STANDARD MS9902A, AMENDMENT 1. THIS STANDARD RETAINS THE SAME PART NUMBERS ESTABLISHED BY THE ORIGINAL MILITARY DOCUMENT.

ANY REQUIREMENTS ASSOCIATED WITH QUALIFIED PRODUCTS LIST (QPL) MAY CONTINUE TO BE MANDATORY FOR DOD CONTRACTS. REQUIREMENTS RELATING TO QPL'S HAVE NOT BEEN ADOPTED BY THE SAE FOR THIS STANDARD AND ARE NOT PART OF THIS SAE DOCUMENT.

AS9902

SAE Technical Standards Board Rules provide that: "This report is published by SAE to advance the state of technical and engineering sciences. The use of this report is entirely voluntary, and its applicability and suitability for any particular use, including any patent infringement arising therefrom, is the sole responsibility of the user."

SAE reviews each technical report at least every five years at which time it may be revised, reaffirmed, stabilized, or cancelled. SAE invites your written comments and suggestions.

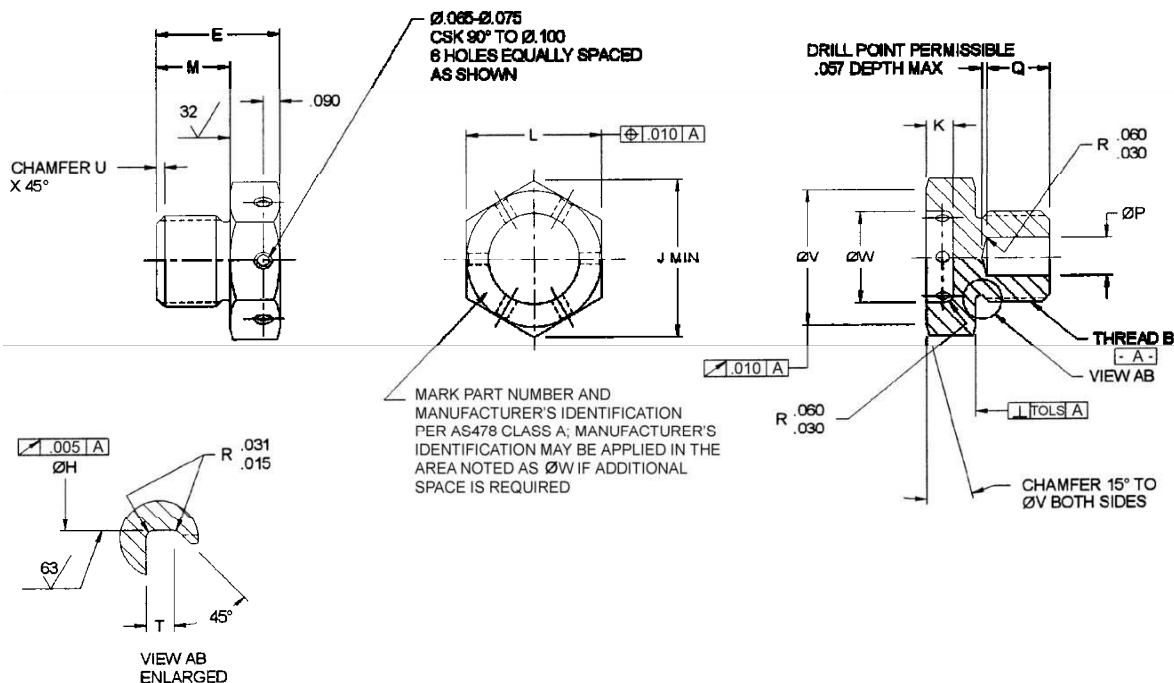
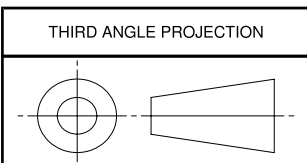


FIGURE 1 - PLUG

SAE values your input. To provide feedback on this Technical Report, please visit <http://www.sae.org/technical/standards/AS9902D>



ISSUED 1999-10 REVISED 2010-07 REAFFIRMED 2015-04

CUSTODIAN: E-25

PROCUREMENT SPECIFICATION:



AEROSPACE STANDARD

PLUG, MACHINE THREAD DRILLED,
PREFORMED PACKING, AS8879
THREAD (UNS S34700)

AS9902
SHEET 1 OF 3

**REV.
D**